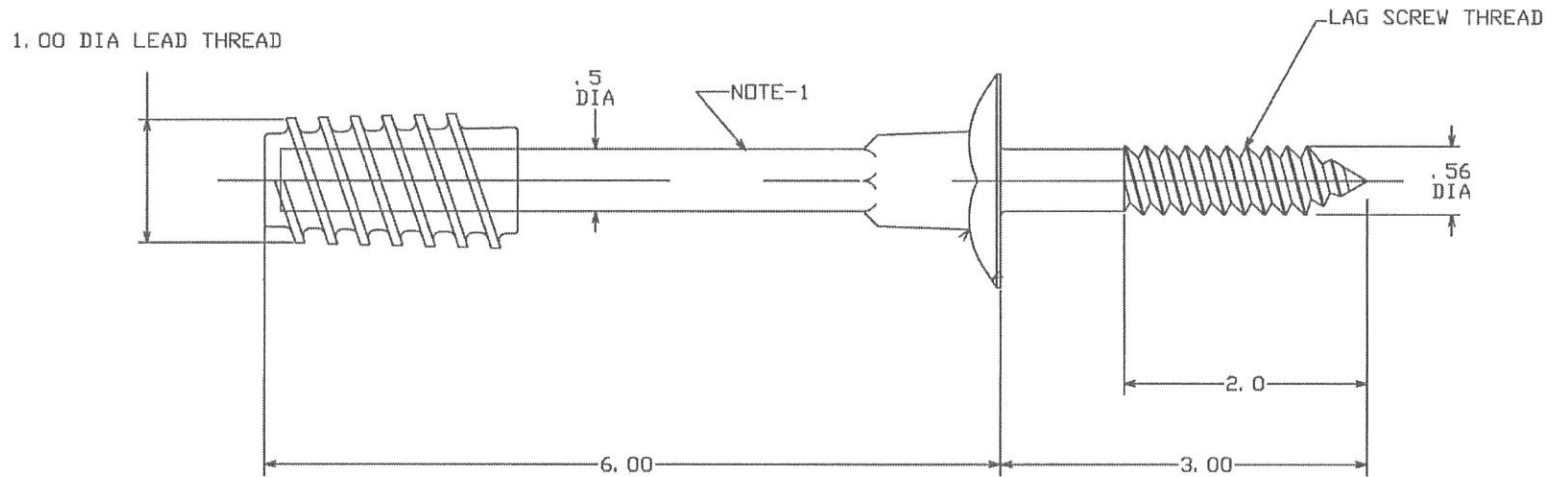


-NOTES-

1. MATERIAL: STEEL
2. FINISH: HOT DIP GALVANIZE PER ASTM A153.



CATALOG NO.: 875

EC #	03-20-12	CHG BY	RESP ENG	CHANCE TOLERANCE CHART		HUBBELL POWER SYSTEMS	
DESC OF ENG				CONFIDENTIAL THIS DRAWING AND ITS CONTENTS ARE CONFIDENTIAL AND THE EXCLUSIVE PROPERTY OF HUBBELL POWER SYSTEMS. NO PUBLICATION, REPRODUCTION OR COPIES MAY BE MADE WITHOUT THE WRITTEN CONSENT OF HUBBELL POWER SYSTEMS. HUBBELL POWER SYSTEMS UNPUBLISHED. ALL RIGHTS RESERVED UNDER THE COPYRIGHT LAWS.		LAG SCREW, FORGED STEEL PIN	
SEARCH ED FOR CHANGED				SIZE	DWG NO.	CAT / PART / ASSY NO.	REV
DISPOSITION OF PART				C	SA875	875	
				DO NOT SCALE THIS DRAWING	DWN BY	DATE	SHEET 01 OF 01